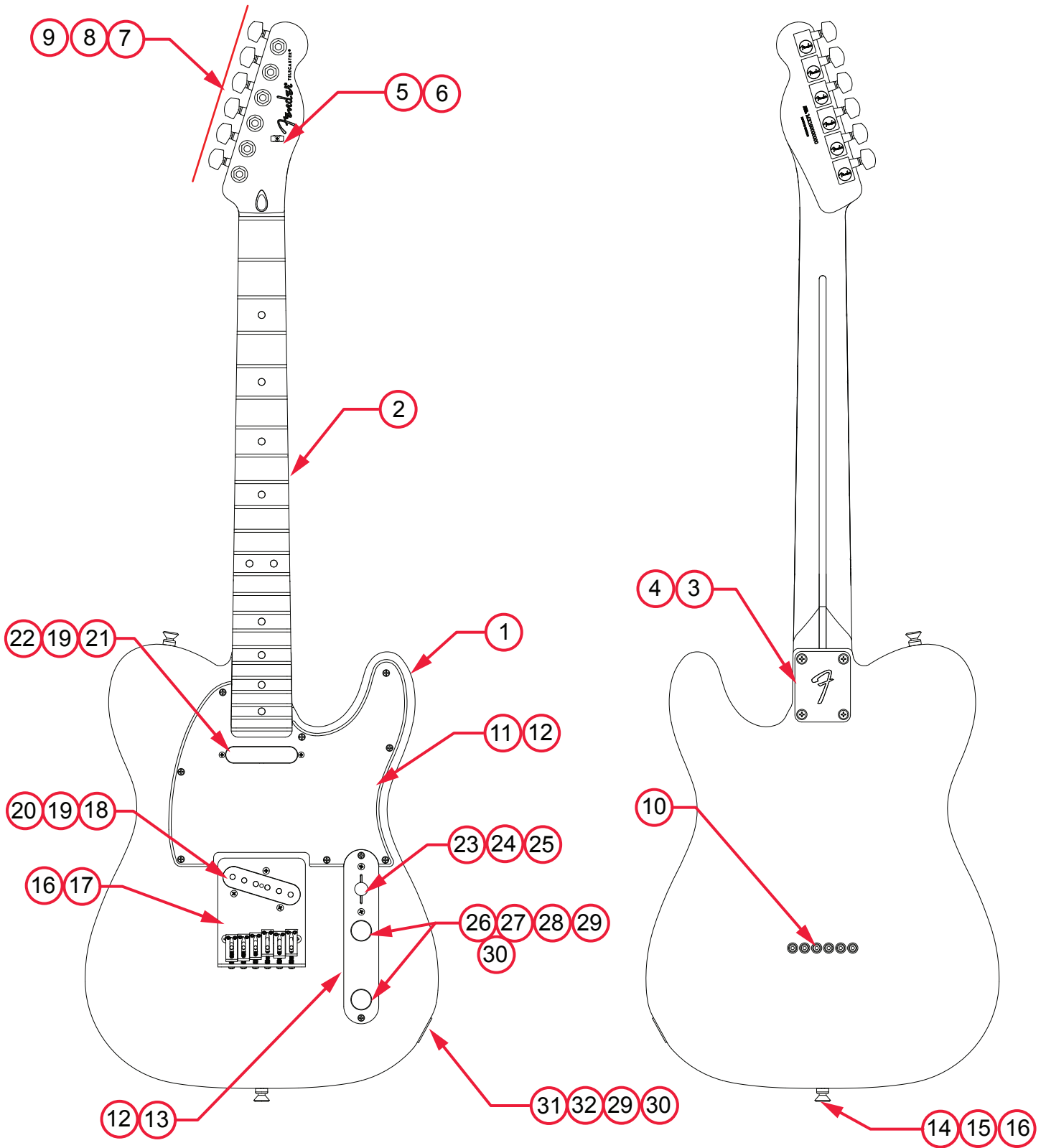


PLAYER TELECASTER®
(014-5212-XXX/014-5213-XXX)
PARTS LAYOUT

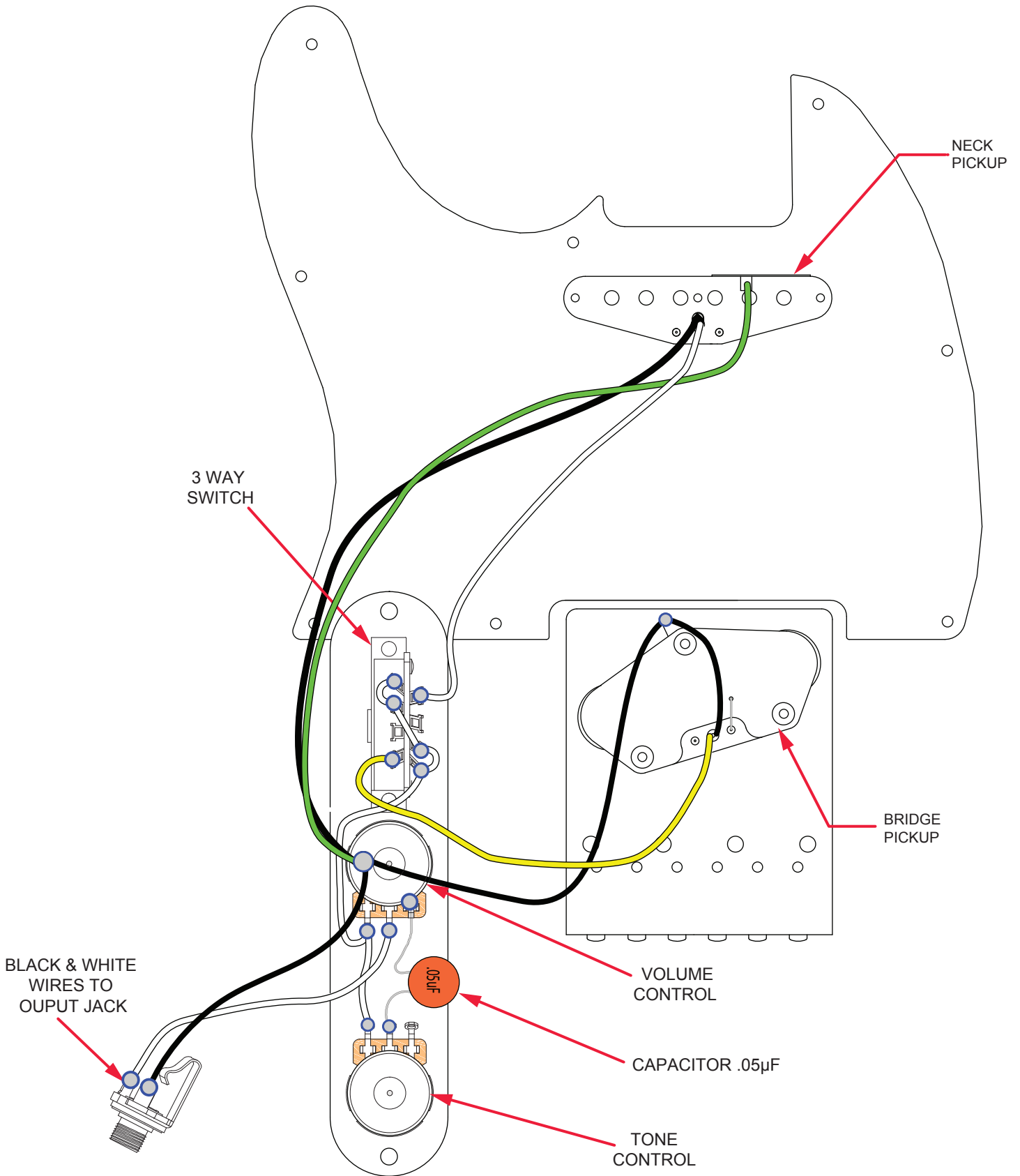


PLAYER TELECASTER®
(014-5212-XXX/014-5213-XXX)
PARTS LIST

REF #	DESCRIPTION	PART NUMBER
1	BODY PLAYER TELECASTER 3TSB	7712873500
	BODY PLAYER TELECASTER BLK	7712873506
	BODY PLAYER TELECASTER TDP	7712873513
	BODY PLAYER TELECASTER PWT	7712873515
	BODY PLAYER TELECASTER SRD	7712873525
	BODY PLAYER TELECASTER BTB	7712873550
2	NECK PLAYER TELECASTER MN	7712307000
	NECK PLAYER TELECASTER PF	7712309000
3	NECK PLATE - "F", CHROME	0991448100
4	SCRW SMA 8x1-3/4 OHP NI	0015636049
5	ORIGINAL STRING GUIDE	0994910000
6	SCREW SMA #3 X 5/8 RHP NI	0011357049
7	KEYS GTR DUAL PIN MNT	0037429049
8	WASHER KEY	0053106049
9	BUSHING KEY	0058820049
10	ORIGINAL TELE FERRULES	0994918000
11	PICKGUARD TELE P/B/P	0090872000
	PICKGUARD TELE B/W/B	0090876000
12	SCRW SMAB 4x1/2 OHP NCKL	0015578049
13	ORIGINAL VINT. TELE PLATE CONTROL	0992058000
14	ORIGINAL STRAP BUTTON	0994915000
15	WHITE FELT WASHER	0994930000
16	SCREW SMAB 5x1 OHP NI	0015610049
17	STD TELE BRIDGE CHROME 2018	7713174000
18	PICKUP ASSY TELE BRIDGE 2018	7712278000
19	TUBING LATEX CUT .375 x 1/8ID x 1/4OD	0036878000
20	SCREW MA RD HD 6-32 X 5/8 (12)	0994925000
21	PICKUP ASSY TELE NECK 2018	0058128000
22	SCREW M 4-40x1 RHP NI	0012319049
23	ORIG 3-WAY SWITCH VNT STR/TEL	0992041000
24	PICKUP/SWITCH SCREWS	0994925000
25	ORIGINAL TELE SWITCH TIPS (2)	0994936000



PLAYER TELECASTER®
(014-5212-XXX/014-5213-XXX)
WIRING DIAGRAM

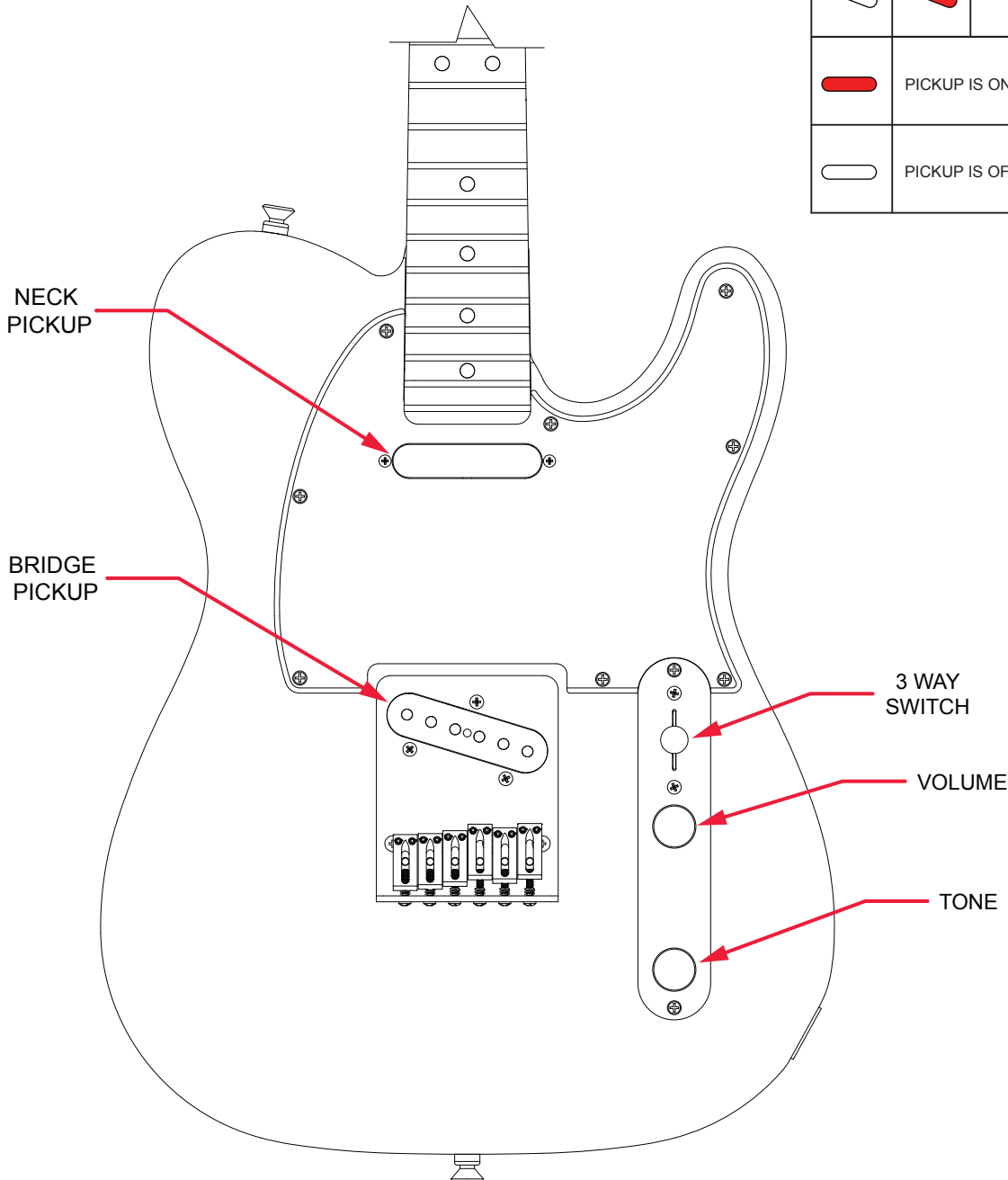


PLAYER TELECASTER®

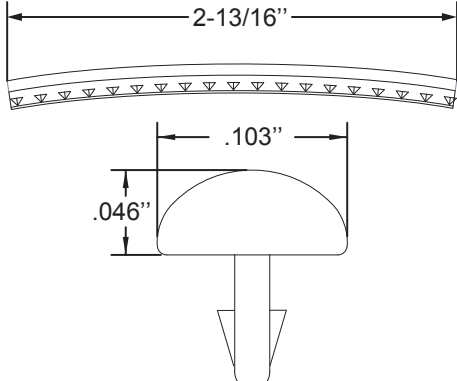
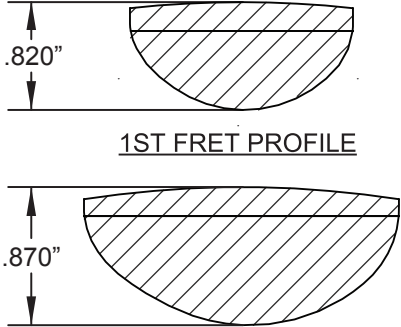
(014-5212-XXX/014-5213-XXX)

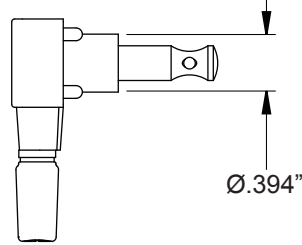
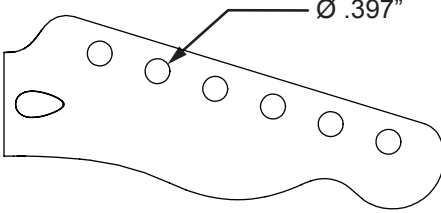
SWITCH AND CONTROL FUNCTION

3 WAY SWITCH POSITION			
3 	2 	1 	← 3 WAY SWITCH POSITION
			← NECK PICKUP
			← BRIDGE PICKUP
	PICKUP IS ON		INDICATES POSITION OF 3 WAY SWITCH
	PICKUP IS OFF		

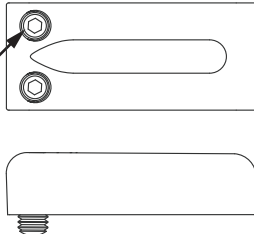


PLAYER TELECASTER®
(014-5212-XXX/014-5213-XXX)
ADDITIONAL SPECIFICATION DETAIL

<p>FRET SIZE: MED JUMBO (FRET DIMENSIONS ARE BEFORE INSTALLATION)</p> 	<p>PLEASE NOTE: AS EACH NECK IS SANDED & FINISHED BY HAND, THICKNESS DIMENSIONS MAY VARY SLIGHTLY FROM THOSE SHOWN.</p>	<p>NECK PROFILE:</p>  <p>1ST FRET PROFILE</p> <p>12TH FRET PROFILE</p>
--	---	--

<p>KEY GTR DUAL PIN MNT PING EA: P/N 0037429000 OUTER SHAFT DIAMETER .394"</p> 	<p>TUNING MACHINE THRU-HOLE INNER DIAMETER .397"</p> 
--	--

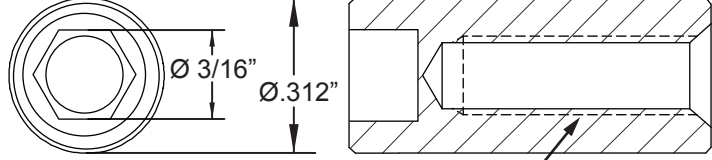
SADDLE HEIGHT ADJUSTMENT WRENCH:
1/16" HEX KEY



1/16" HEX

SADDLE HEIGHT ADJUSTMENT SCREW:
TALL: .396" SHORT: .3165"

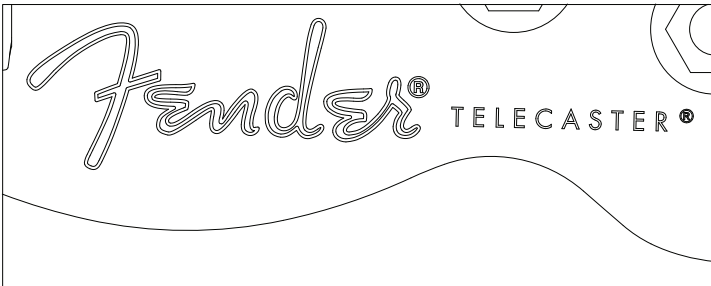
TRUSS ROD NUT P/N 0038454000



Ø 3/16" Ø .312"

10-32 THREAD

LOGO: DECAL BRAD PAISLE FENDER TELECASTER
APPLIED UNDER THE FINISH



PICKUP SPECIFICATIONS

POSITION	MAGNETS	DC RESISTANCE	POLARITY
NECK	ALNICO 5 UNBEVELED	8.0 - 8.6KΩ	SOUTH
BRIDGE	ALNICO 5 UNBEVELED	10.2 - 10.8KΩ	NORTH